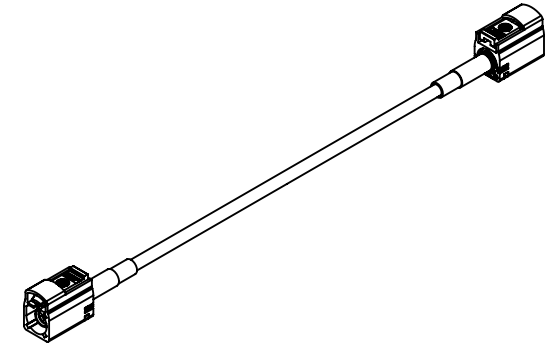
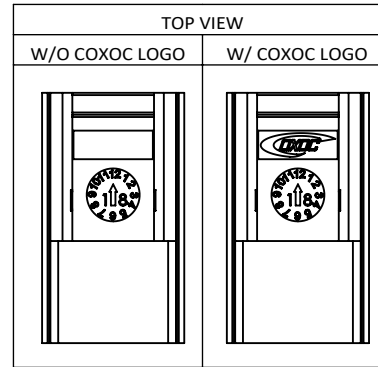
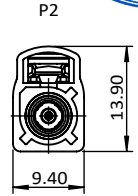
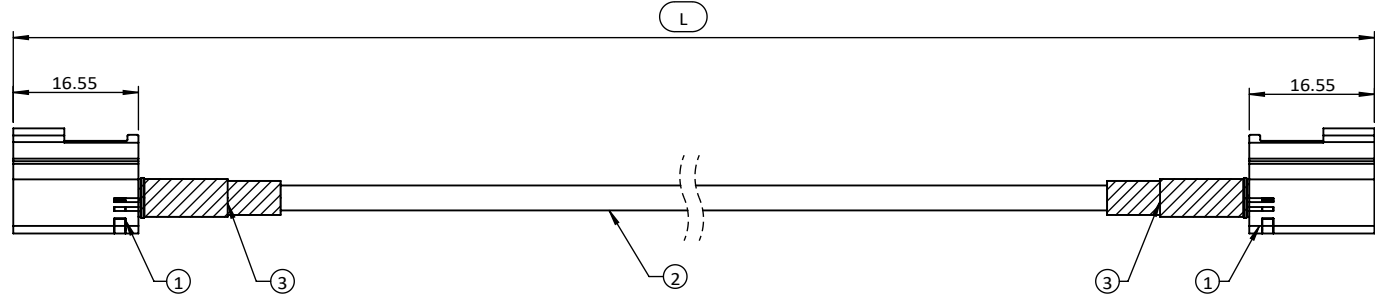
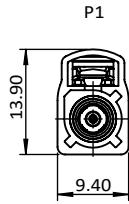


RoHS
compliant



SCALE 1:2

SPECIFICATION

ELECTRICAL CHARACTERISTIC:

1. FINISHED CABLE 100% CONDUCTIVITY TEST
2. CHARACTERISTIC IMPEDANCE: 50 Ω
3. FREQUENCY RANGE: DC TO 4.0 GHz
4. VSWR 1.5 MAX.@0~3.0GHz ; 1.80MAX.@3.0~4.0GHz
5. INSULATION RESISTANCE: ≥ 100 MΩ

MECHANICAL CHARACTERISTIC:

1. CONNECTOR ENGAGEMENT FORCE: ≤ 25N
2. DISENGAGEMENT FORCE: ≥ 2N
3. DURABILITY: ≥ 25 CYCLES
4. RETENTION FORCE LATCH: ≥ 110N
5. MISMATING ORIENTATION EFFECTIVENESS: ≥ 40N

ENVIRONMENTAL:

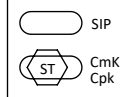
1. OPERATING TEMPERATURE: -40°C TO +105°C
2. WATER TIGHTNESS IP69K

NOTE:

1. USCAR-17 COMPLIANT

△E	1410102012Z	N/A	10000±150mm	Z/Z CODE	W/COXOC LOGO
△E	1410102011Z	N/A	7000±100mm	Z/Z CODE	W/COXOC LOGO
△E	1410102010Z	N/A	5000±100mm	Z/Z CODE	W/COXOC LOGO
△E	1410102009Z	N/A	3000±50mm	Z/Z CODE	W/COXOC LOGO
△E	1410102008Z	N/A	300±15mm	Z/Z CODE	W/O COXOC LOGO
△D	1410102007Z	N/A	10000±150mm	Z/Z CODE	W/O LOGO
△C	1410102006Z	N/A	5000±100mm	Z/Z CODE	W/O LOGO
△C	1410102003Z	CWS24ZZ3A02E1M8	1800±30mm	Z/Z CODE	W/O LOGO
	1410102002Z	CWS24ZZ3A02SE2M0	2000±50mm	Z/Z CODE	W/COXOC LOGO
	1410102001Z	CWS24ZZ3A02SE1M0	1000±30mm	Z/Z CODE	W/COXOC LOGO
	NEW P/N	OLD P/N	LENGTH	CODING	LOGO

UNLESS OTHERWISE SPECIFIED TOLERANCE	
ANG.	±5°
0.	±0.50
.0	±0.30
.00	±0.20



CHANT SINCERE CO.,LTD

SCALE: 1:1 UNIT: mm

DRAWN:	SUNNY_LIU	22 NOV 2023
CHECKED:	WEIWEI_CHANG	22 NOV 2023
APPROVED:	JASON_HUANG	27 NOV 2023
SIZE	A4	SHEET 1/3
REV.	E	

TITLE: PDR-21054 FAKRA JACK 180° TO FAKRA JACK 180° 031 CABLE FOR IP69K	
PART NO.	1410102XXXX
CODE:	GC
CUSTOMER:	

3	HST	HEAT SHRINK TUBE WITH GLUE, BLACK	2
2	CABLE	031 CABLE: 22AWG COAXIAL+AL+MYLAR+BRAID, OD: 3.2mm, JACKET: PVC BLACK	A/R
1	FAKRA STR. JACK	THERMOPLASTIC UL94V-0, 30u" AU	2
ITEM	PART	DESCRIPTION	Q'TY

C6, D6	E	ECN-2311045(ADA)ADD NEW P/N	17NOV2023
C6	D	ECN-2309029(POYA)ADD NEW P/N	15SEP2023
B6, C6	C	ECN-2307005(JENNY)ADD NEW P/N&LENGTH&MODIFY HST	04JUL2023
ZONE	REVISION	DESCRIPTION	DATE

RoHS
compliant



A	B	C	D	E	F	G
JET BLACK SIMILAR RAL 9005	CREAM WHITE SIMILAR RAL 9001	SIGNAL BLUE SIMILAR RAL 5005	CLARET VIOLET SIMILAR RAL 4004	LEAF GREEN SIMILAR RAL 6002	NUT BROWN SIMILAR RAL 8011	BLUE GRAY SIMILAR RAL 7031
H	I	K	L	M	N	Z
HEATHER VIOLET SIMILAR RAL 4003	BEIGE SIMILAR RAL 1001	CURRY SIMILAR RAL 1027	CARMINE RED SIMILAR RAL 3002	PASTEL ORANGE SIMILAR RAL 2003	PASTEL GREEN SIMILAR RAL 6019	WATER BLUE SIMILAR RAL 5021

UNLESS OTHERWISE SPECIFIED TOLERANCE ANG. $\pm 5^\circ$ 0. ± 0.50 .0 ± 0.30 .00 ± 0.20	SIP Crk Cpk	 CHANT SINCERE CO., LTD							
SCALE: 2:1	UNIT: mm								
DRAWN: SUNNY_LIU	22 NOV 2023	TITLE: PDR-21054 FAKRA JACK 180° TO FAKRA JACK 180° 031 CABLE FOR IP69K							
CHECKED: WEIWEI_CHANG	22 NOV 2023								
APPROVED: JASON_HUANG	27 NOV 2023								
ZONE	REVISION	DESCRIPTION	DATE		SIZE A4	SHEET 2/3	REV. E	CODE: GC	CUSTOMER:

E	ECN-2311045(ADA)SEE PAGE 1/3	17NOV2023
D	ECN-2309029(POYA)SEE PAGE 1/3	15SEP2023
C	ECN-2307005(JENNY)SEE PAGE 1/3	04JUL2023

1 2 3 4 5 6 7 8 9 10

G

F

E

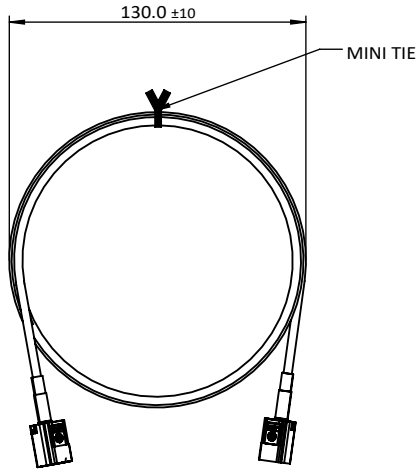
D

C

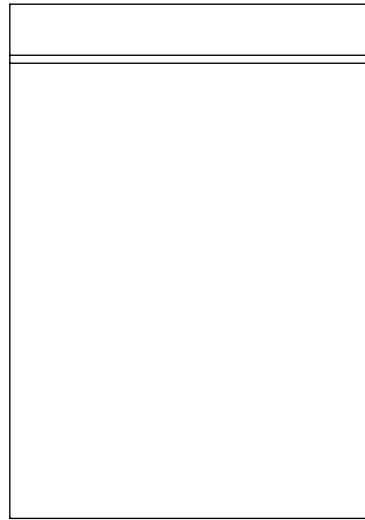
B

A

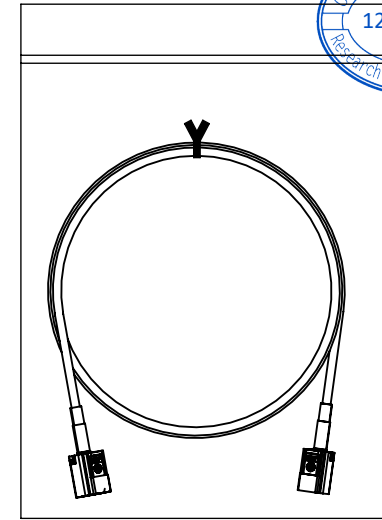
RoHS
compliant



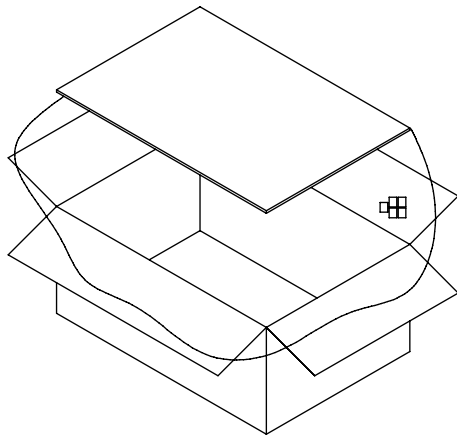
FAKRA JACK TO JACK CABLE



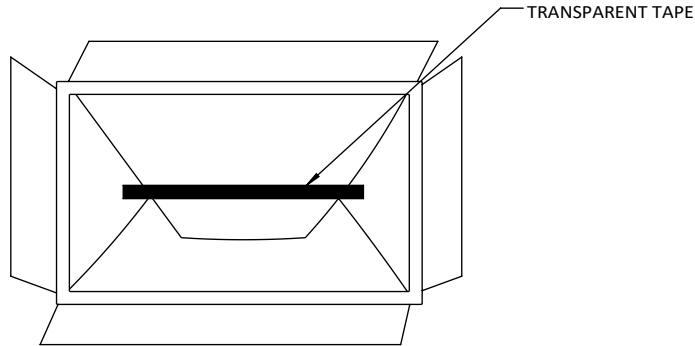
ZIP BAG: 240(L)x170(W)xT0.05mm



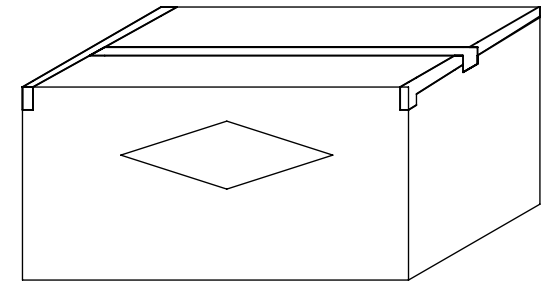
FAKRA JACK TO JACK CABLE



CARTON: 177.5(L)x130(W)x90(H)



(AFTER THE INSTALLED PRODUCT,
CARTON SEALING TAPE SHOULD BE TRANSPARENT)



(THE PACKING QUANTITY IS BASED ON THE FIRST BATCH OF ACTUAL ORDER)

5	DESICCANT	M90000EZ0000029	2g
4	WATERPROOF	M9BE71163507009	28"x25"x0.07mm
3	CARDBOARD	M9EE330330000333	330x330mm
2	CARTON	M9CE406330165500	16"x13"x6.5"mm
1	ZIP BAG	MQR1000NB10A0850	240(L)x150(W)mm
ITEM	DESCRIPTION	PART NO.	SPECIFICATION

UNLESS OTHERWISE SPECIFIED TOLERANCE		SIP Crk Cpk
ANG.	±5°	
0.	±0.50	
.0	±0.30	
.00	±0.20	
SCALE:	AS SHOWN	UNIT: mm



	E	ECN-2311045(ADA)SEE PAGE 1/3	17NOV2023
	D	ECN-2309029(POYA)SEE PAGE 1/3	15SEP2023
	C	ECN-2307005(JENNY)SEE PAGE 1/3	04JUL2023
ZONE	REVISION	DESCRIPTION	DATE
1	2	3	4

DRAWN:	SUNNY_LIU	22 NOV 2023	TITLE: PDR-21054 FAKRA JACK 180° TO FAKRA JACK 180° 031 CABLE FOR IP69K
CHECKED:	WEIWEI_CHANG	22 NOV 2023	
APPROVED:	JASON_HUANG	27 NOV 2023	
		PART NO.	1410102XXXX
		CODE:	GC
		CUSTOMER:	
SIZE A4 SHEET 3/3	REV. E		